



TM

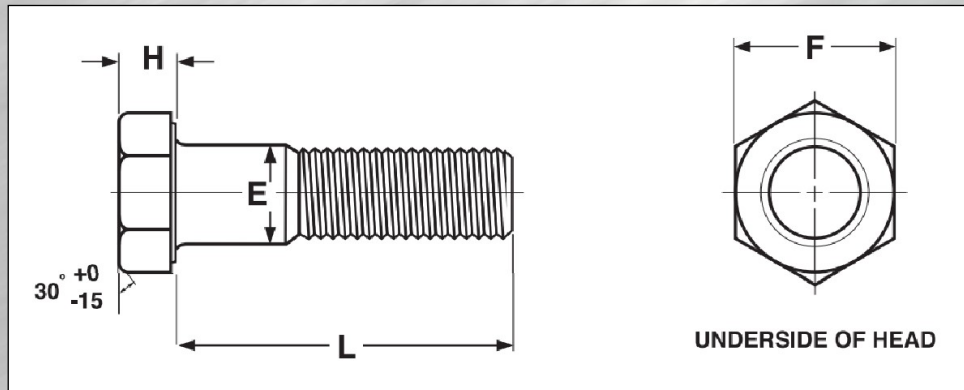
545 Basket Road
Webster, NY 14580

Toll Free: 800.691.0292 | Local: 585.265.1990 | Fax: 585.265.6678

FASTENERS DIRECT

www.fastenersdirect.com
sales@fastenersdirect.com

GRADE 9 HEX CAP SCREWS



Nominal or Basic Product Diameter	E		F			H			
	Body Diameter		Width Across Flats			Head Height			
	Max	Min	Basic	Max	Min	Basic	Max	Min	
1/4	0.2500	0.2500	0.2450	7/16	0.438	0.428	3/16	0.194	0.181
5/16	0.3125	0.3125	0.3065	1/2	0.500	0.489	15/64	0.242	0.227
3/8	0.3750	0.3750	0.3690	9/16	0.562	0.551	9/32	0.289	0.273
7/16	0.4375	0.4375	0.4305	5/8	0.625	0.612	21/64	0.338	0.318
1/2	0.5000	0.5000	0.4930	3/4	0.750	0.736	3/8	0.386	0.364
9/16	0.5625	0.5625	0.5545	13/16	0.812	0.798	27/64	0.433	0.410
5/8	0.6250	0.6250	0.6170	15/16	0.938	0.922	15/32	0.481	0.456
3/4	0.7500	0.7500	0.7410	1-1/8	1-125	1.100	9/16	0.577	0.548
7/8	0.8750	0.8750	0.8660	1-5/16	1.312	1.285	21/32	0.672	0.640
1	1.0000	1.0000	0.9900	1-1/2	1.500	1.469	3/4	0.768	0.732

Nominal Screw Size	Nominal Screw Length					
	Up to 1 in., incl.	Over 1 in to 2-1/2 in., incl.	Over 2-1/2 in. to 4 in., incl.	Over 4 in. to 6 in., incl.	Longer than 6 in.	
Tensile on Length	1/4 to 3/8	-0.03	-0.04	-0.06	-0.10	-0.18
	7/16 and 1/2	-0.03	-0.06	-0.08	-0.10	-0.18
	9/16 to 3/4	-0.03	-0.08	-0.10	-0.10	-0.18
	7/8 and 1	-	-0.10	-0.14	-0.16	-0.20



TM

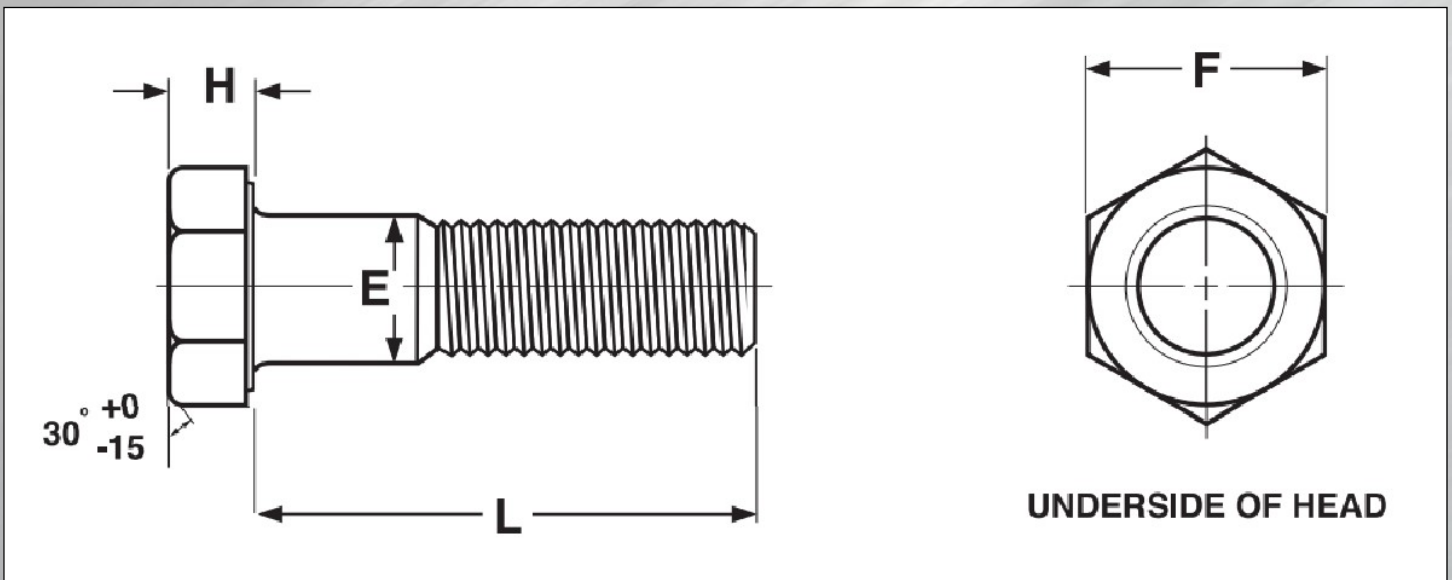
FASTENERS DIRECT

545 Basket Road
Webster, NY 14580

Toll Free: 800.691.0292 | Local: 585.265.1990 | Fax: 585.265.6678

www.fastenersdirect.com
sales@fastenersdirect.com

GRADE 9 HEX CAP SCREWS



DESCRIPTION: A cap screw made from medium carbon or alloy steel with head height approximately 25% higher than a standard cap screw.

APPLICATIONS/ADVANTAGES: Has greater tensile strength than a Grade 8. Designed for use in heavy machinery and equipment subject to harsh environmental and fatigue conditions.

MATERIAL: AISI 8637 / 8640 / 8740 Medium Carbon Alloy Steel Wire or 4340 Alloy Steel Bar Stock

HARDNESS: Rockwell C38-C42

PROOF LOAD: 140,650 psi

YIELD STRENGTH: 159,500 psi minimum

TENSILE STRENGTH: 180,000 psi minimum

ELONGATION: 10% minimum (all diameters)

REDUCTION OF AREA: 35% minimum (all sizes)

PLATING: Steel EcoGuard™ 1000-hour Gray / Silver finish