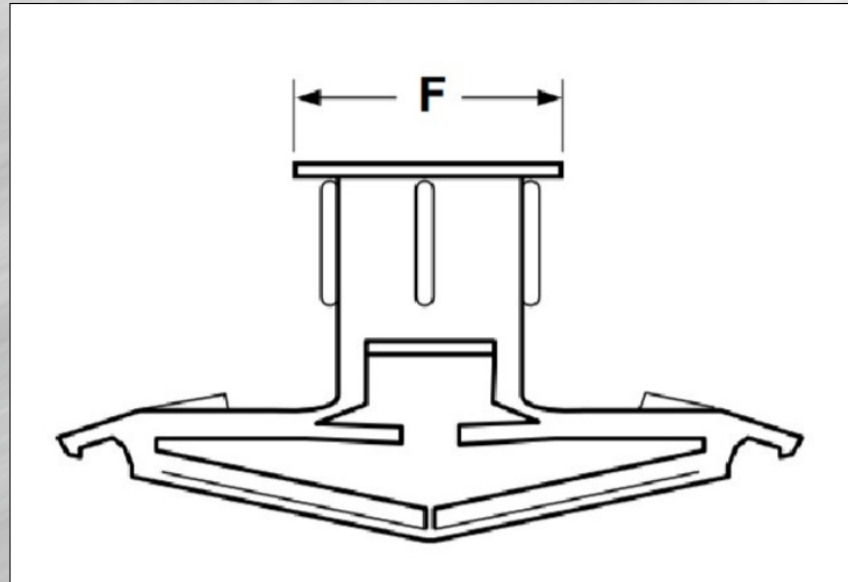




545 Basket Road • Webster, NY 14580  
 Toll Free • 800.691.0292 | Local • 585.265.1990 | Fax • 585.265.6678  
 sales@fastenersdirect.com  
 www.fastenersdirect.com

# PLASTIC TOGGLE ANCHORS

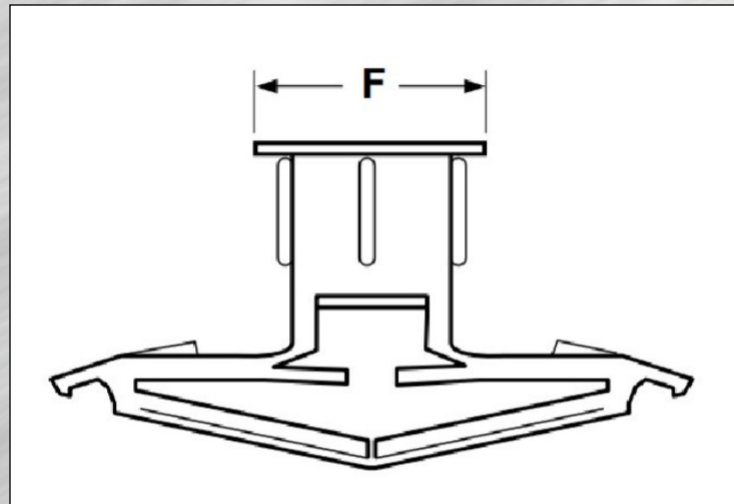


Size	Wall Thickness	Drill Diameter	Screw Diameter Range	Minimum Screw Length	F Flange Diameter	Minimum Embedment	Performance in Wallboard		Performance in Cinder Block	
							Tensile	Shear	Tensile	Shear
Extra Short	1/8	5/16	#6 - #12	1	29/64	5/8	120	100	-	-
Short	3/8	5/16	#6 - #12	1-1/4	1/2	1-1/8	135	165	240	220
Medium	1/2	5/16	#6 - #12	1-1/4	1/2	1-1/4	150	220	280	230
Long	5/8	5/16	#6 - #12	1-1/2	1/2	1-3/8	170	250	350	230
Extra Long	3/4	5/16	#6 - #12	1-3/4	1/2	1-1/2	180	250	400	240
XX - Long	1	5/16	#6 - #12	2	1/2	1-3/4	220	250	450	250



545 Basket Road • Webster, NY 14580  
Toll Free • 800.691.0292 | Local • 585.265.1990 | Fax • 585.265.6678  
[sales@fastenersdirect.com](mailto:sales@fastenersdirect.com)  
[www.fastenersdirect.com](http://www.fastenersdirect.com)

# PLASTIC TOGGLE ANCHORS



**DESCRIPTION:** A one-piece, plastic anchor with a cylindrical body and four legs. The hole through the center of the body has ribs on the outside to hold the anchor in place during installation.

**APPLICATIONS / ADVANTAGES:** When a tapping screw is driven into the toggle, the legs collapse which forms a tongue. As the screw is driven through the body, it pulls in and expands the legs. Plastic toggles are intended for light weight duty in hollow walls (wallboard or plaster), i.e. drapery rods, junction boxes, soap dishes, towel bars, etc. The anchor remains in place even after the screw is removed.

**MATERIAL:** Engineered plastic.

**ANCHOR SPACING:** Anchors should be spaced 18 to 24 inches center-to-center (spacing can be closer in high-density material).

**TENSILE & SHEAR VALUES:** See the above table. These values should be reduced by at least 75% to determine the safe working load in each application.