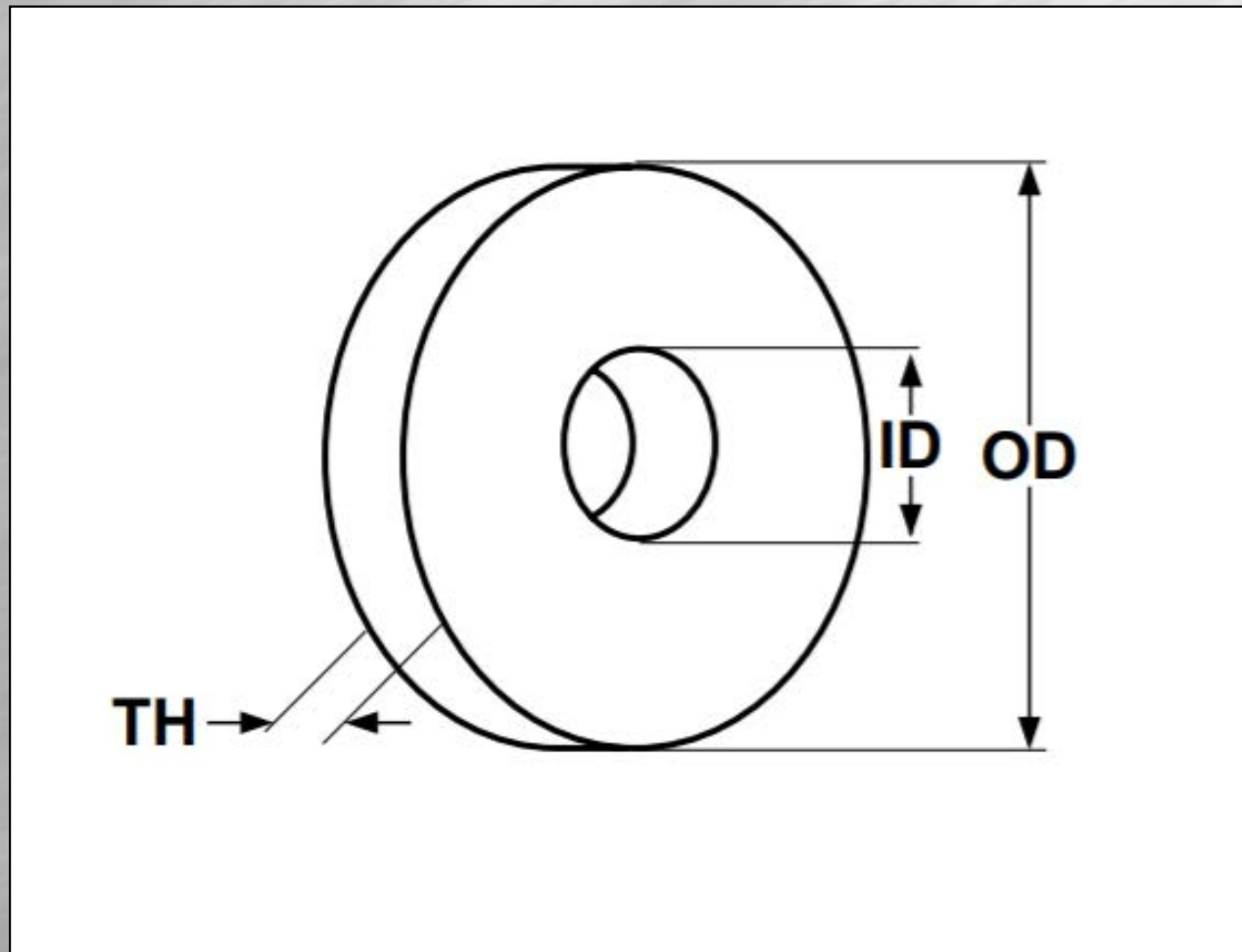




545 Basket Road • Webster, NY 14580
Toll Free • 800.691.0292 | Local • 585.265.1990 | Fax • 585.265.6678
sales@fastenersdirect.com
www.fastenersdirect.com

SAE FLAT WASHERS - PLAIN FINISH STRUCTURAL ASTM F436





545 Basket Road • Webster, NY 14580
 Toll Free • 800.691.0292 | Local • 585.265.1990 | Fax • 585.265.6678
 sales@fastenersdirect.com
 www.fastenersdirect.com

SAE FLAT WASHERS - PLAIN FINISH STRUCTURAL ASTM F436

Size	OD		ID		TH	
	Outside Diameter		Inside Diameter		Thickness	
	Max	Min	Max	Min	Max	Min
1/2	1.094	1.031	.562	.531	.177	.097
5/8	1.344	1.281	.719	.687	.177	.122
3/4	1.500	1.438	.843	.812	.177	.122
7/8	1.781	1.719	.969	.938	.177	.136
1	2.031	1.969	1.156	1.125	.177	.136

Description	Dimensionally comparable to USS plain washer, but with a smaller outside diameter, manufactured from a higher grade of steel and heat-treated.
Applications / Advantages	Designed to be used with A325 & A490 structural bolts.
Material	Structural washers shall be manufactured from a steel which conforms to the following chemical composition requirements: Phosphorus 0.050%; Sulfur 0.060%
Hardness	Rockwell C38 - 45
Plating	Structural washers are usually supplied plain or with a galvanized finish.